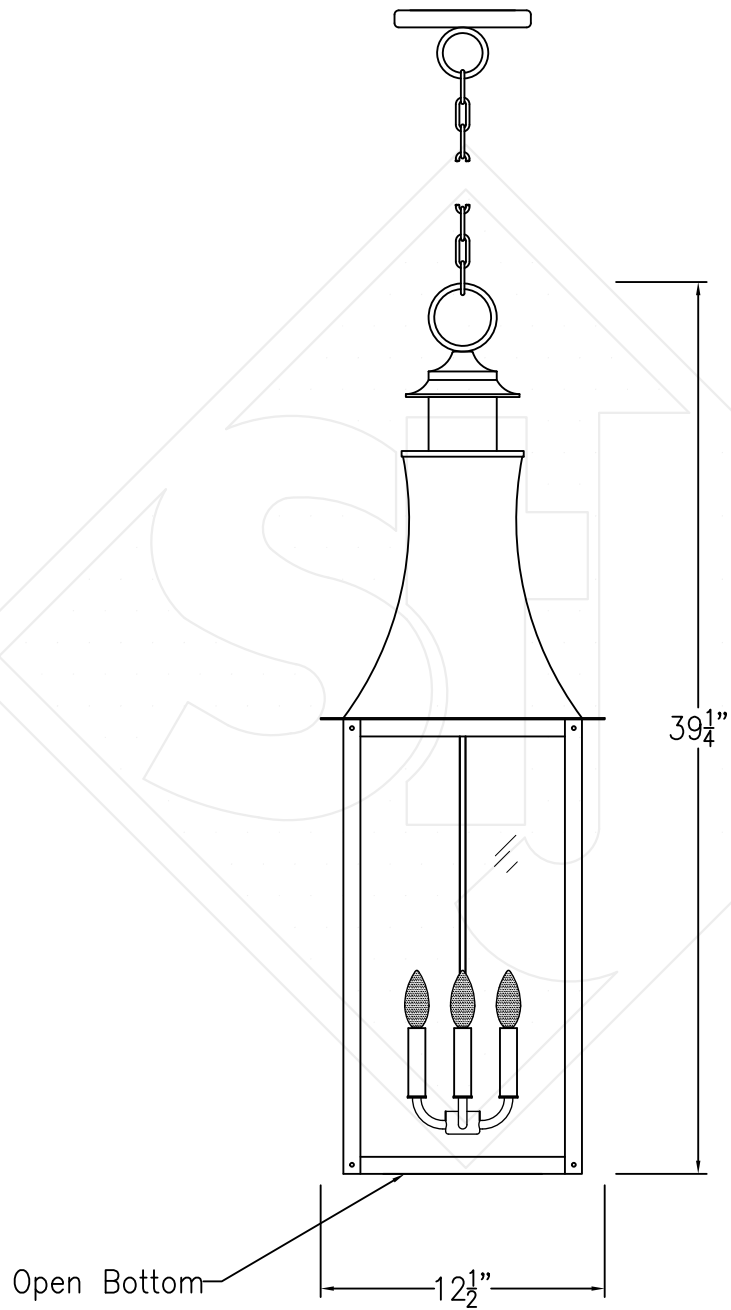


MADISON LARGE CHAIN HUNG PENDANT

Comes standard w/ 6'
of chain



Front View

Lights are hand crafted
Dimensions may vary by 1/4"