

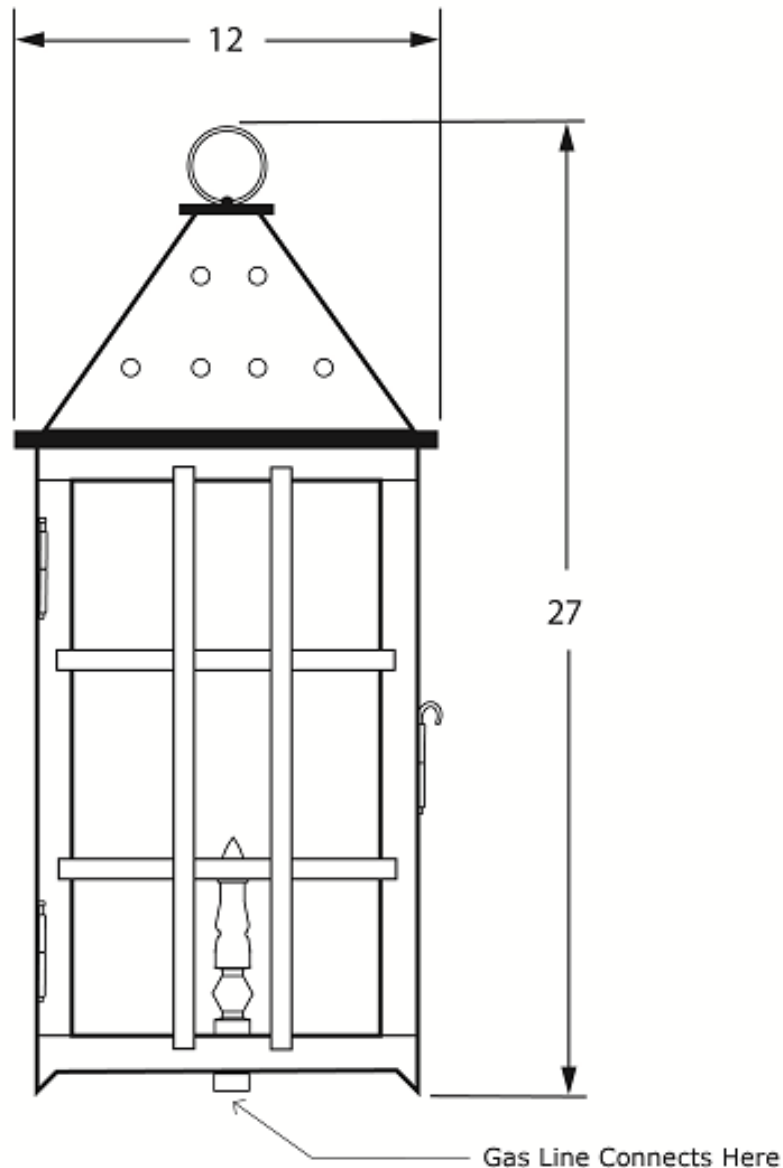
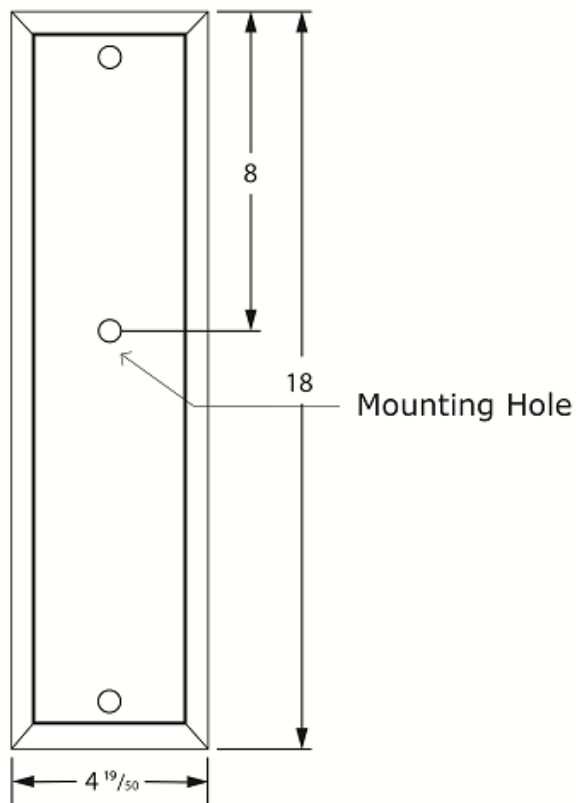
St Michaels Series

SM-6

Wall Mount

27h x 12w x 12d

*Mounting hole to top of lantern: 18"



DAMP

BTU's: 1460 for Natural Gas / 1280 for Liquid Propane (LP)



1362 Chuck Dawley Blvd
Mount Pleasant, SC 29464
www.carolinalanterns.com
customerservice@carolinalanterns.com