

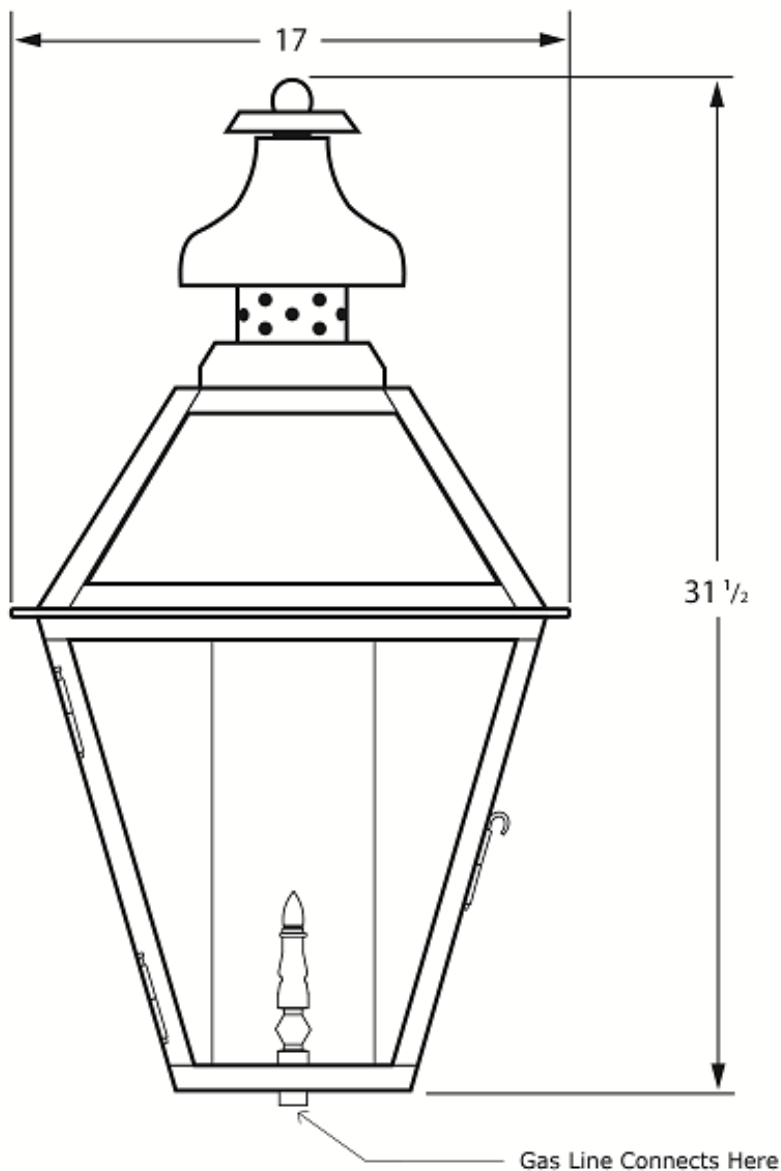
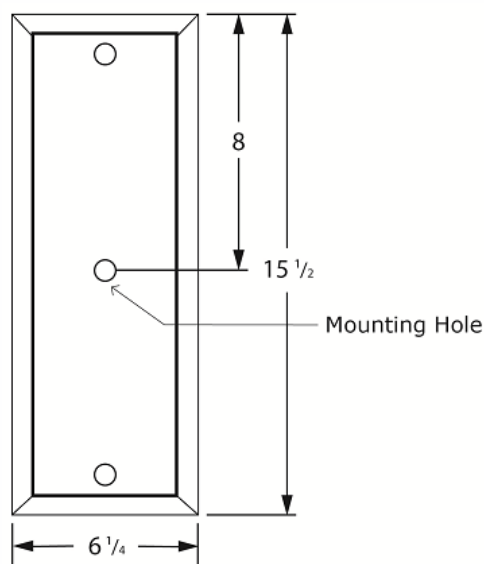
Tradd Street Series

T-42

Wall Mount

31.5h x 17w x 18d

*Mounting hole to top of lantern: 24.5"



DAMP

BTU's: 1460 for Natural Gas / 1280 for Liquid Propane (LP)



1362 Chuck Dawley Blvd
Mount Pleasant, SC 29464
843.881.4170
carolinalanterns.com
customerservice@carolinalanterns.com