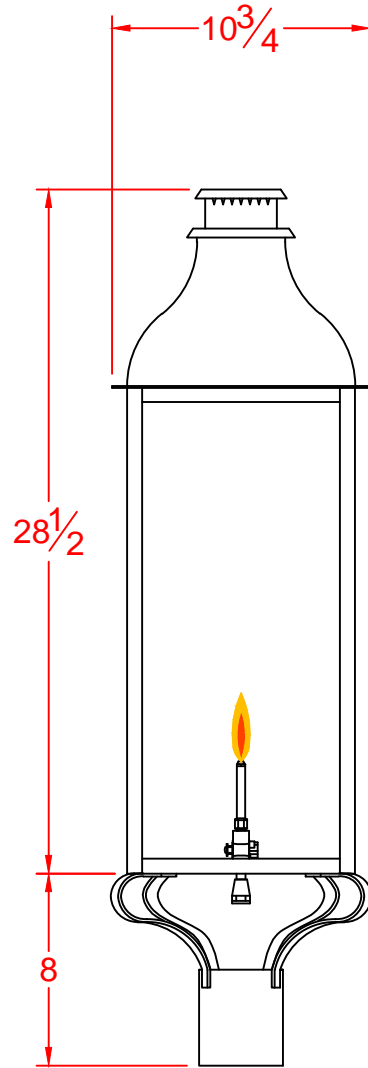
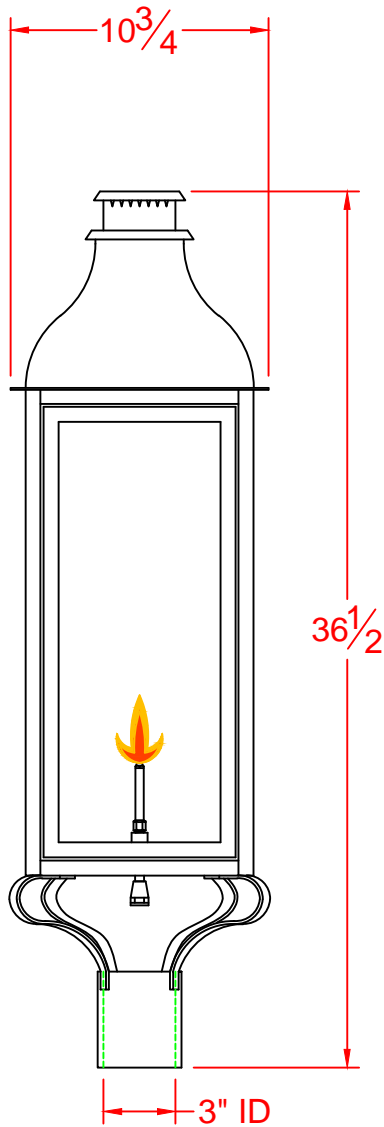


EQUESTRIAN II

STEEL POST MOUNT BRACKET



NOT CSA APPROVED

LEGENDARY LIGHTING		
DWG. TITLE:		EQUESTRIAN II
Drawn By:	RVM	DWG. NO. ALL LIGHTS - SJ STYLE
Date:	SCALE	CUST. NAME:
12-10-15	1 1/2"=1'-0"	LEGENDARY LIGHTING