

Charleston Series

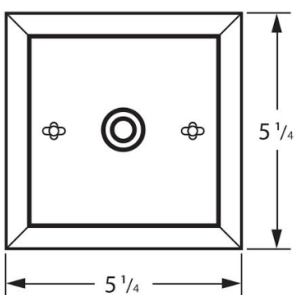
CH-29

Ceiling Yoke Mount

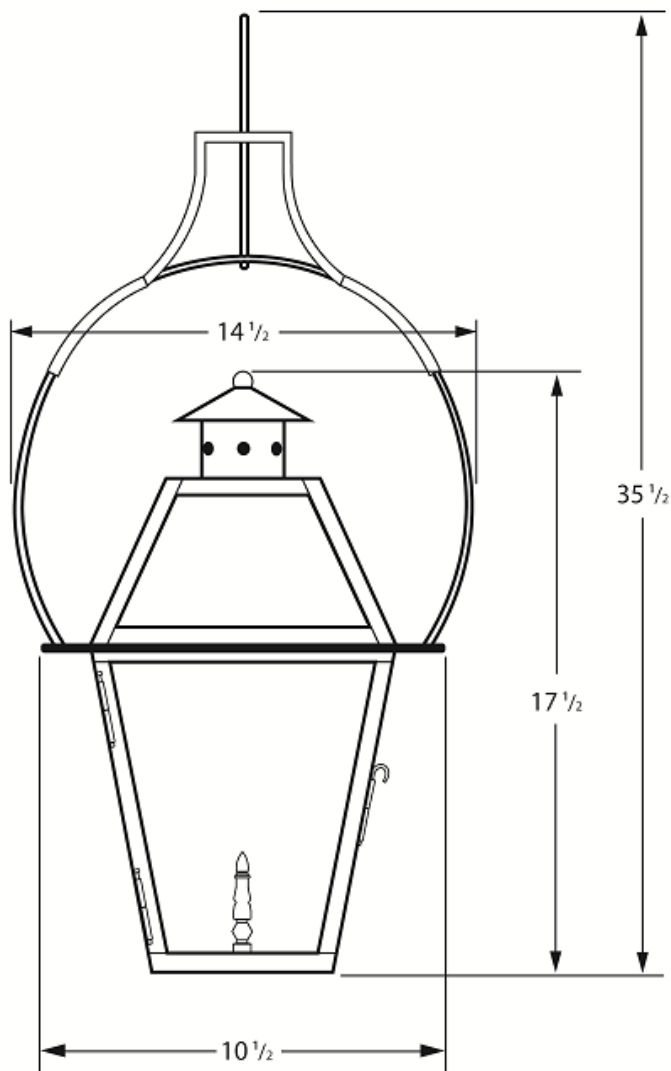
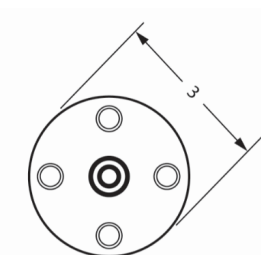
35.5h x 14.5w x 10.5d

*Overall drop can be shortened to 29.5"

Electric Canopy:



Gas Canopy:



DAMP

BTU's: 1460 for Natural Gas / 1280 for Liquid Propane (LP)



1362 Chuck Dawley Blvd
Mount Pleasant, SC 29464
www.carolinalanterns.com
customerservice@carolinalanterns.com