

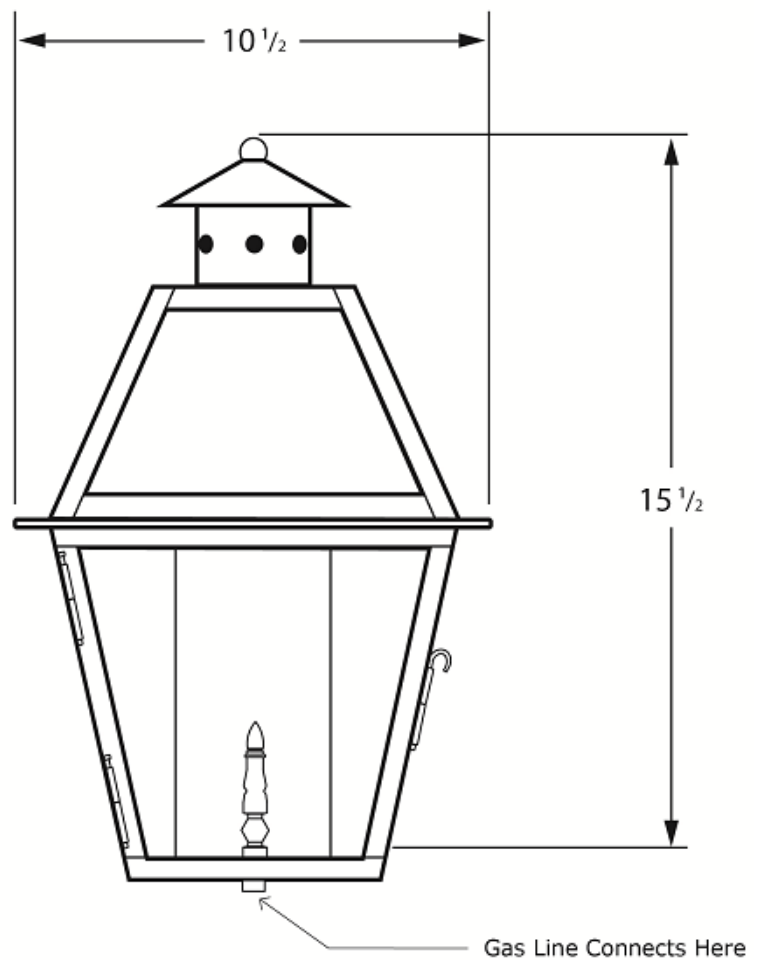
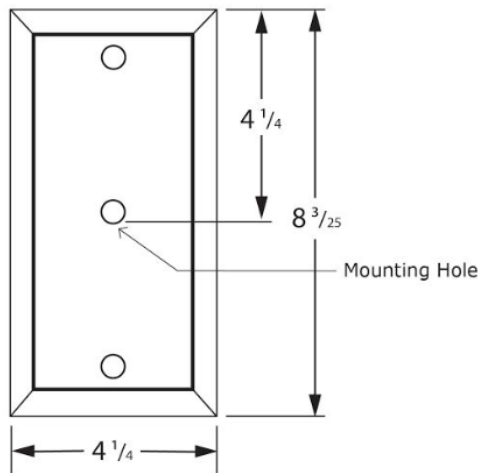
# Charleston Series

## CH-7

### Wall Mount

15.5h x 10.5w x 11.5d

\*Mounting hole to top of lantern: 11.5"



DAMP

BTU's: 1460 for Natural Gas / 1280 for Liquid Propane (LP)



1362 Chuck Dawley Blvd  
Mount Pleasant, SC 29464  
[www.carolinalanterns.com](http://www.carolinalanterns.com)  
[customerservice@carolinalanterns.com](mailto:customerservice@carolinalanterns.com)