

# Tradd Street II Series

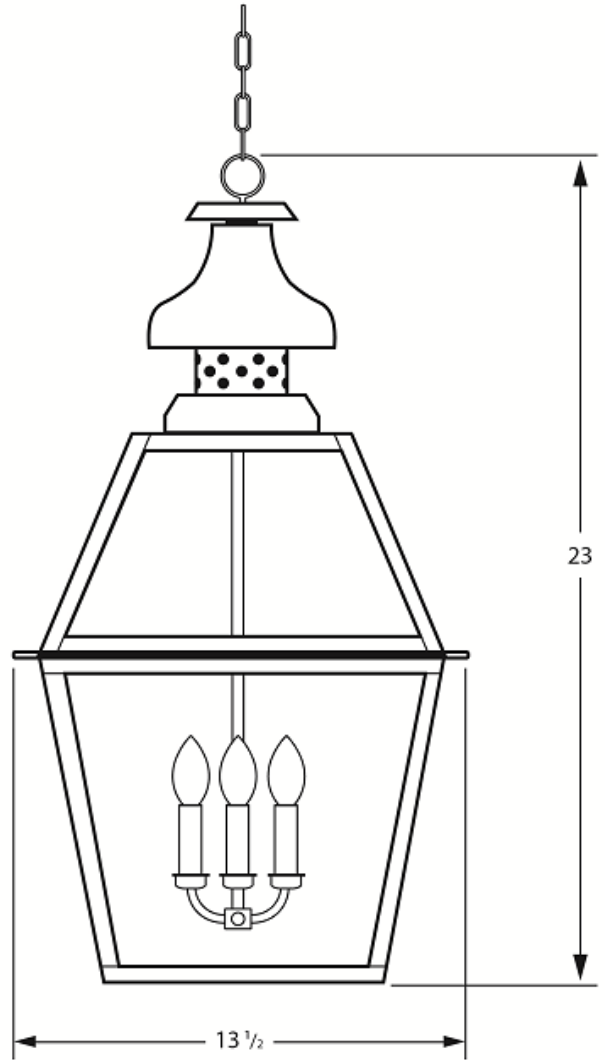
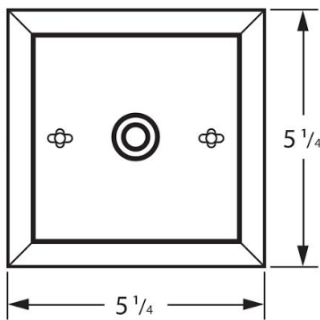
N-11

Hanging Pendant

23h x 13.5w x 13.5d

\*Comes with 18" of chain

Canopy:



DAMP



1362 Chuck Dawley Blvd  
Mount Pleasant, SC 29464  
[www.carolinalanterns.com](http://www.carolinalanterns.com)  
[customerservice@carolinalanterns.com](mailto:customerservice@carolinalanterns.com)