

Tradd Street II Series

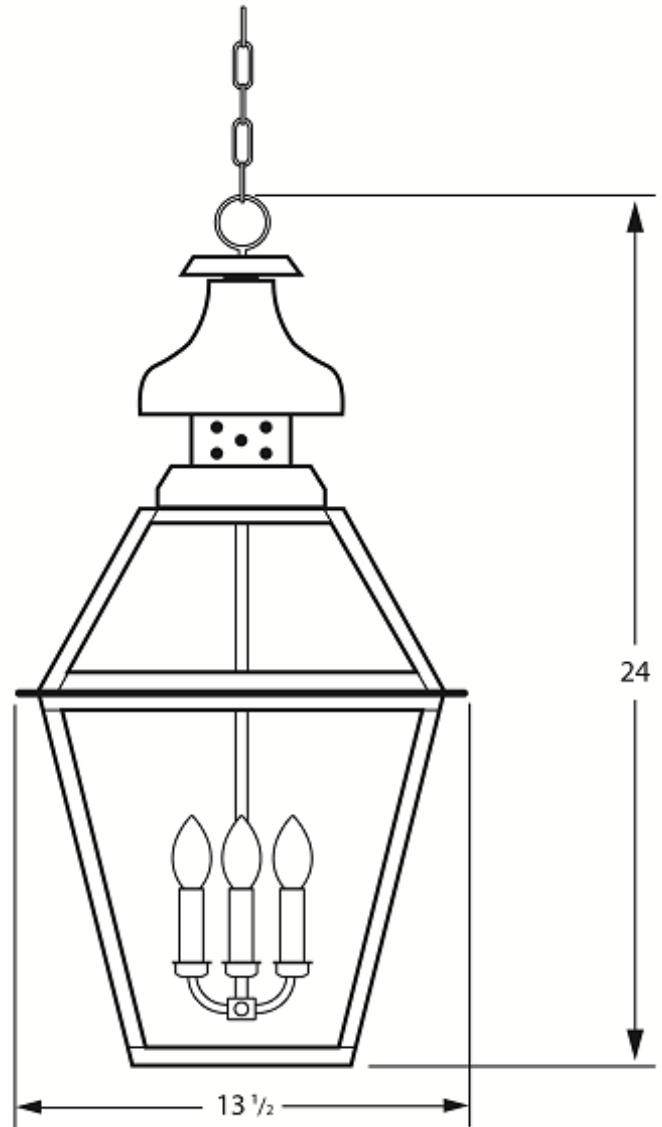
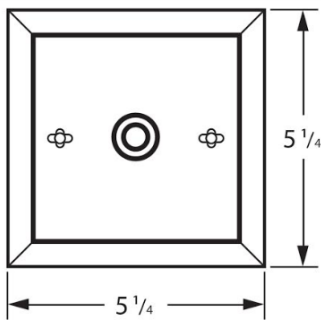
N-21

Hanging Pendant

24h x 13.5w x 13.5d

*Comes with 18" of chain

Canopy:



DAMP



1362 Chuck Dawley Blvd
Mount Pleasant, SC 29464
www.carolinalanterns.com
customerservice@carolinalanterns.com