

# Tradd Street II Series

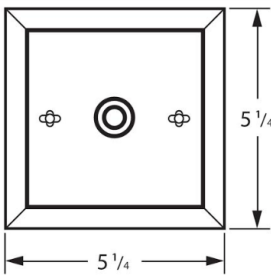
## N-23

### Ceiling Yoke Mount

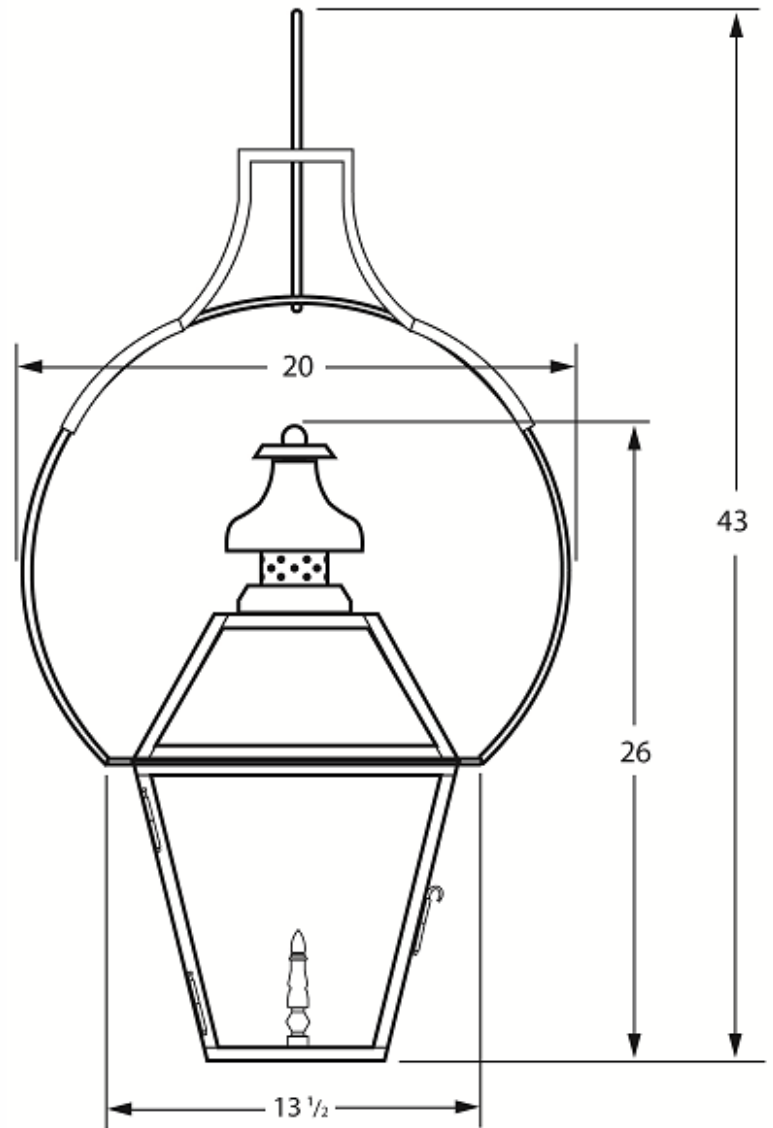
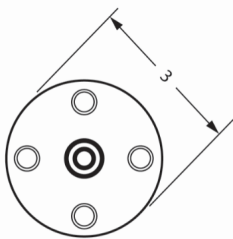
### 43h x 20w x 13.5d

\*Overall drop can be shortened to 37"

Electric Canopy:



Gas Canopy:



BTU's: 1460 for Natural Gas / 1280 for Liquid Propane (LP)



DAMP



1362 Chuck Dawley Blvd  
Mount Pleasant, SC 29464  
[www.carolinalanterns.com](http://www.carolinalanterns.com)  
[customerservice@carolinalanterns.com](mailto:customerservice@carolinalanterns.com)