

# Tradd Street Series

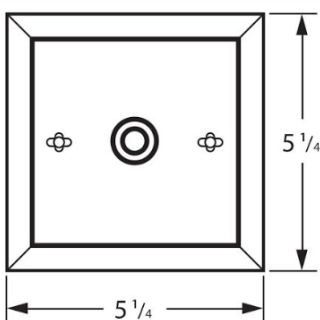
## T-33

### Ceiling Yoke Mount

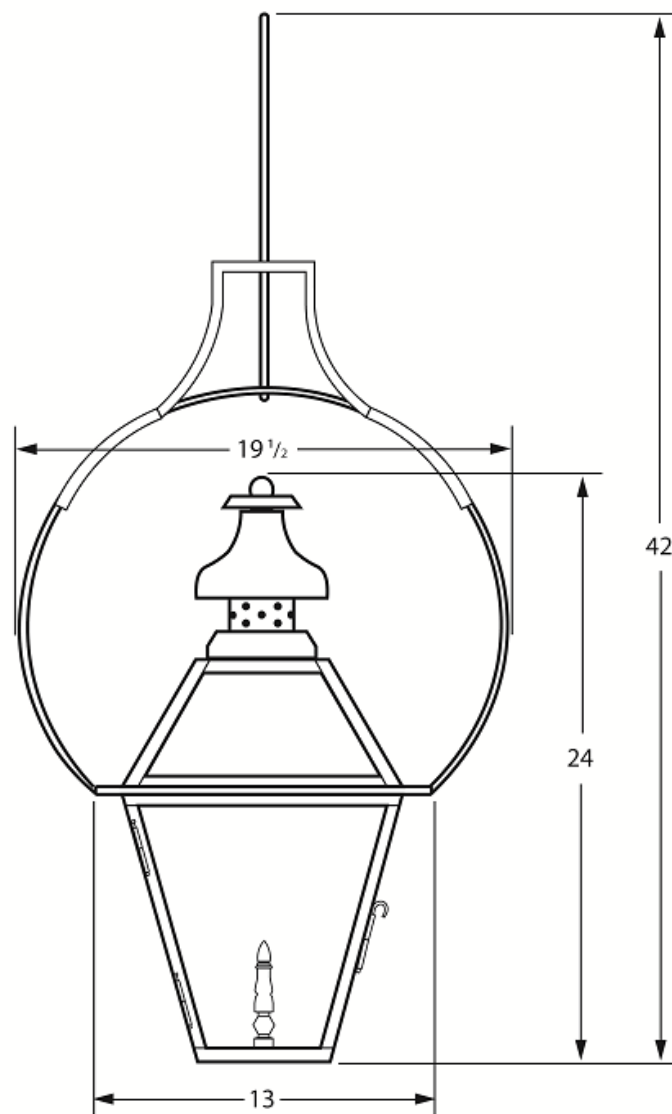
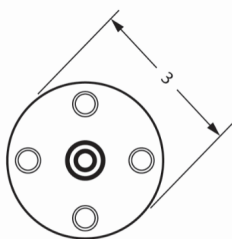
42h x 19.5w x 13d

\*Overall drop can be shortened to 36"

Electric Canopy:



Gas Canopy:



DAMP

BTU's: 1460 for Natural Gas / 1280 for Liquid Propane (LP)



1362 Chuck Dawley Blvd  
Mount Pleasant, SC 29464  
[www.carolinalanterns.com](http://www.carolinalanterns.com)  
[customerservice@carolinalanterns.com](mailto:customerservice@carolinalanterns.com)