

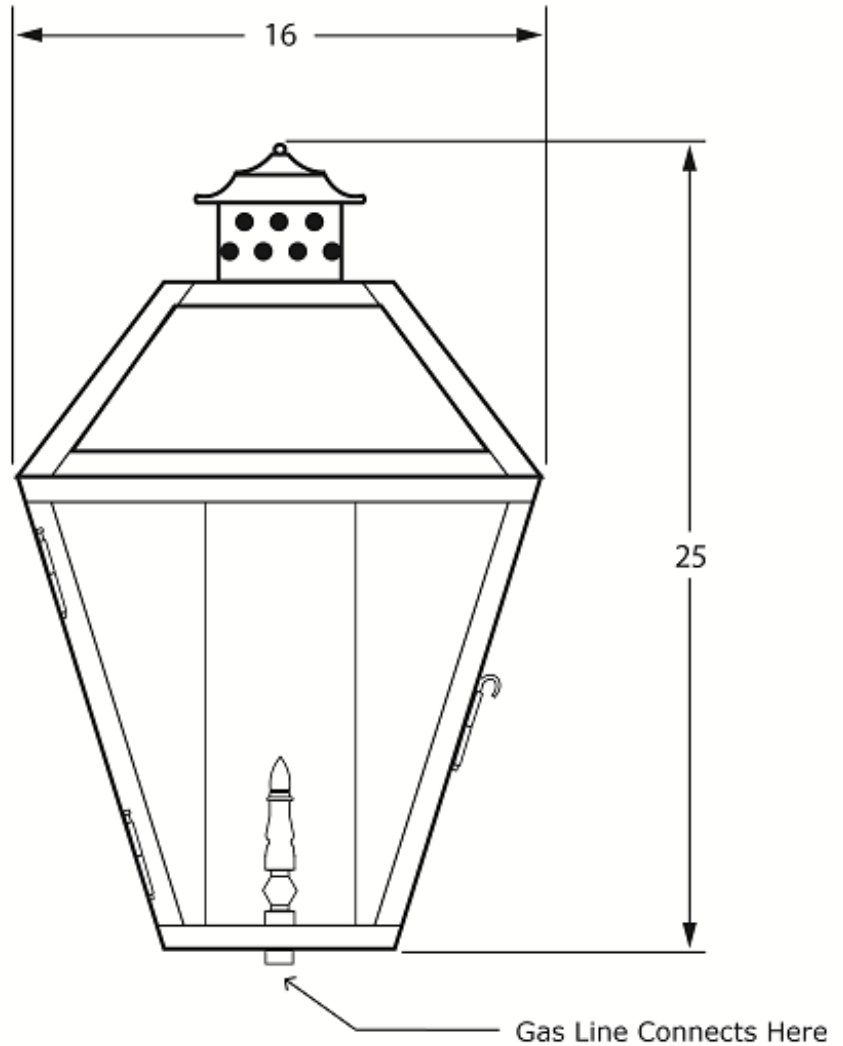
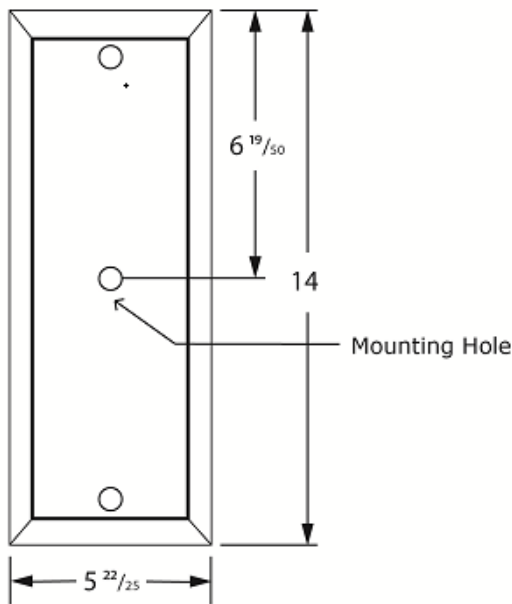
Broad Street Series

BS-17

Wall Mount

25h x 16w x 16.5d

*Mounting hole to top of lantern: 17.5"



DAMP

BTU's: 1460 for Natural Gas / 1280 for Liquid Propane (LP)



1362 Chuck Dawley Blvd
Mount Pleasant, SC 29464
www.carolinalanterns.com
customerservice@carolinalanterns.com