

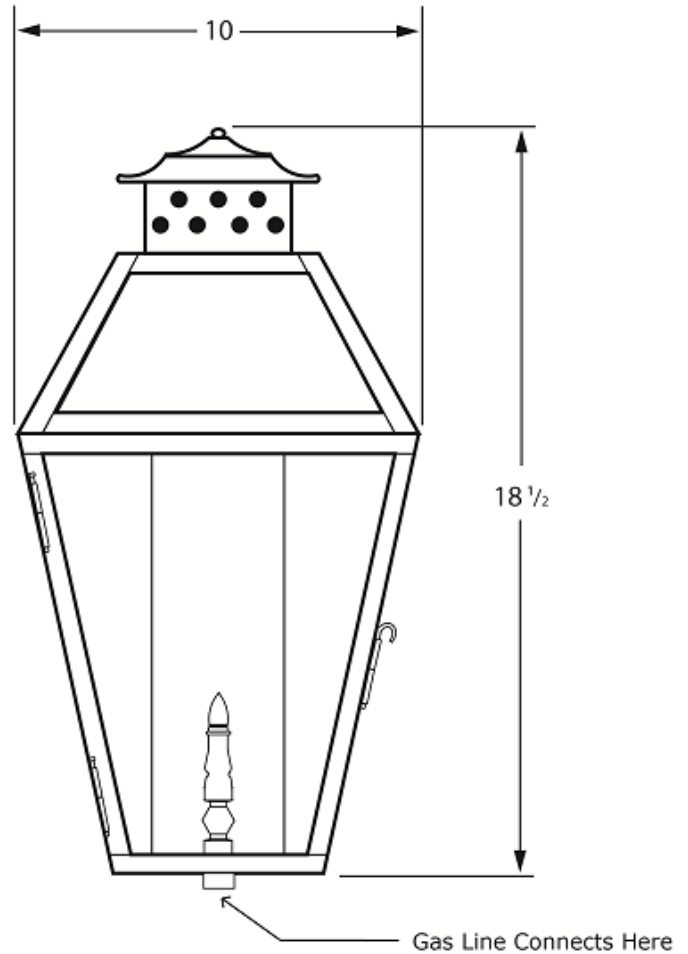
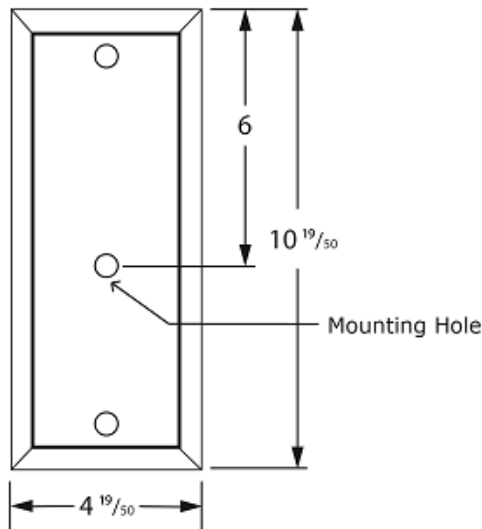
Broad Street Series

BS-7

Wall Mount

18.5h x 10w x 10.5d

*Mounting hole to top of lantern: 15"



DAMP

BTU's: 1460 for Natural Gas / 1280 for Liquid Propane (LP)



1362 Chuck Dawley Blvd
Mount Pleasant, SC 29464
www.carolinalanterns.com
customerservice@carolinalanterns.com