

# Columbia Series

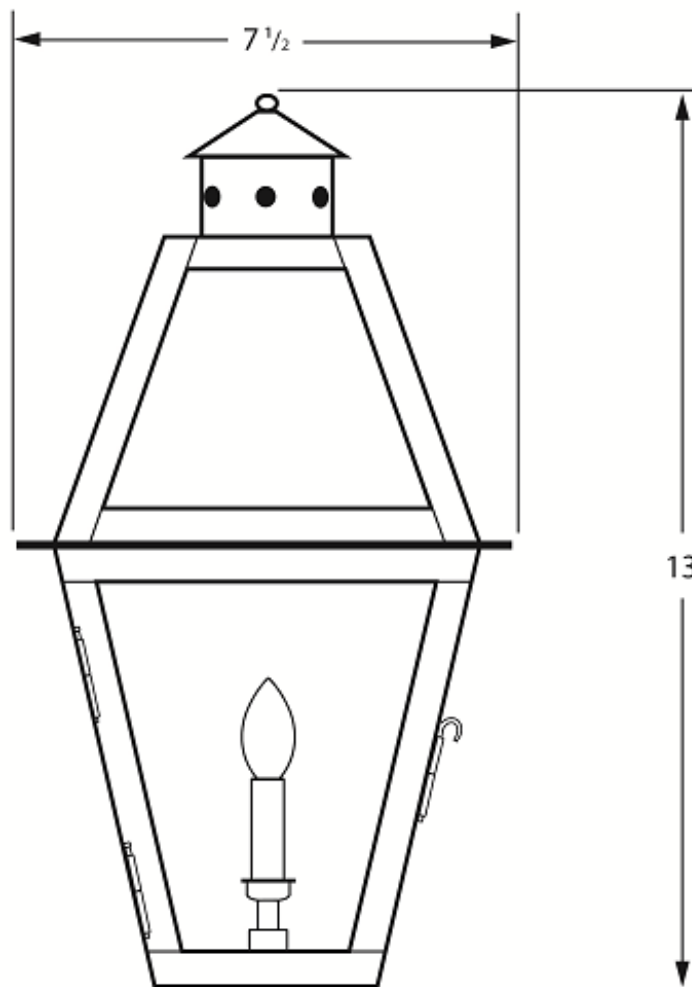
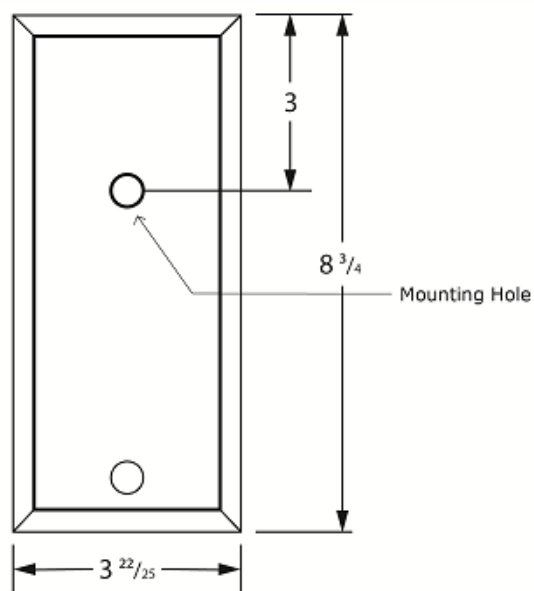
## COLA-1

## Wall Mount

## 13h x 7.5w x 6d

\*Mounting hole to top of lantern: 6.5"

Available in electric only



DAMP



1362 Chuck Dawley Blvd  
Mount Pleasant, SC 29464  
[www.carolinalanterns.com](http://www.carolinalanterns.com)  
[customerservice@carolinalanterns.com](mailto:customerservice@carolinalanterns.com)