

# John Street X Series

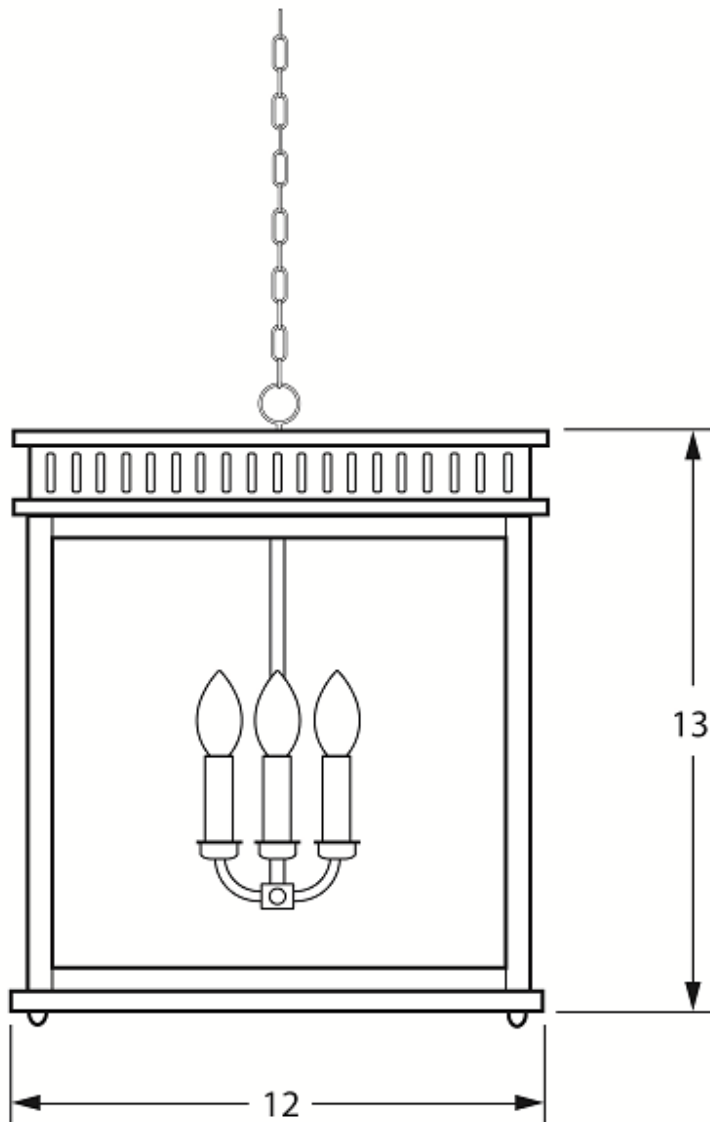
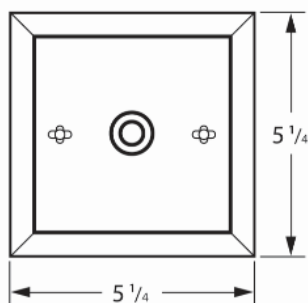
## JS-1X

## Hanging Pendant

### 13h x 12w x 12d

\*Comes with 18 inches of chain

Canopy:



DAMP



1362 Chuck Dawley Blvd  
Mount Pleasant, SC 29464  
[www.carolinalanterns.com](http://www.carolinalanterns.com)  
[customerservice@carolinalanterns.com](mailto:customerservice@carolinalanterns.com)