

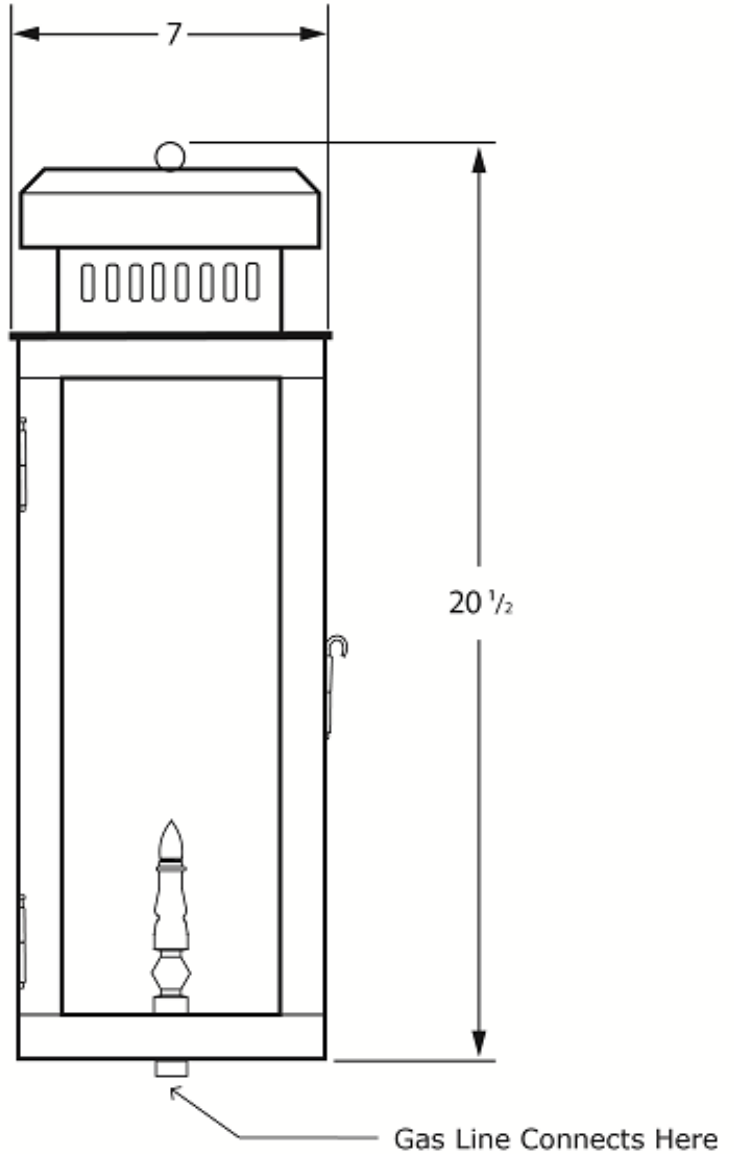
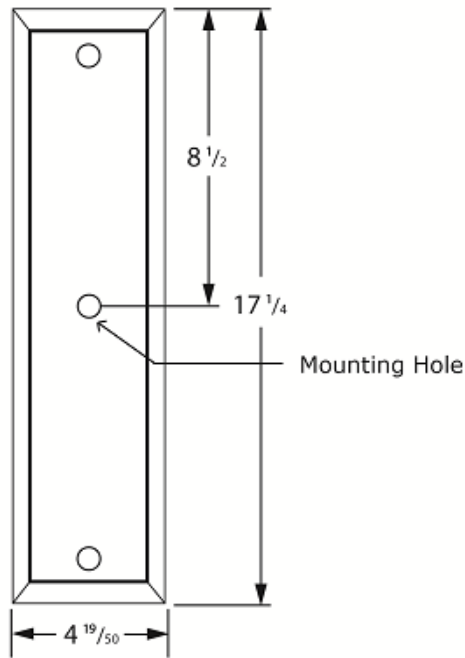
Single House Series

SH-2001

Wall Mount

20.5h x 7w x 9.5d

*Mounting hole to top of lantern: 11.5"



DAMP

BTU's: 1460 for Natural Gas / 1280 for Liquid Propane (LP)



1362 Chuck Dawley Blvd
Mount Pleasant, SC 29464
www.carolinalanterns.com
customerservice@carolinalanterns.com