

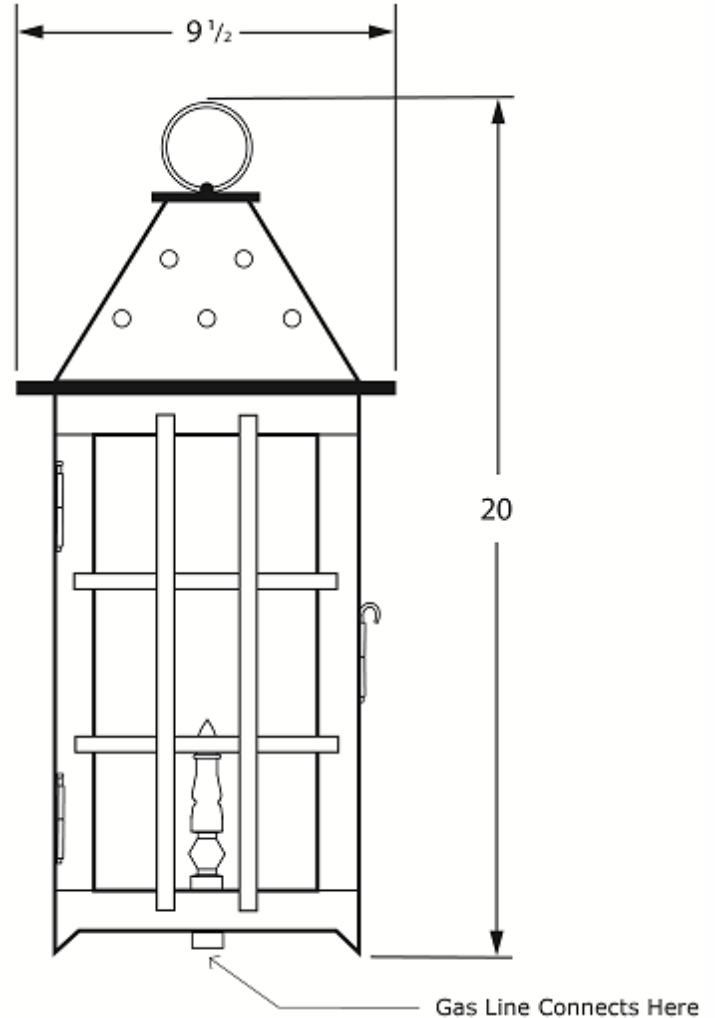
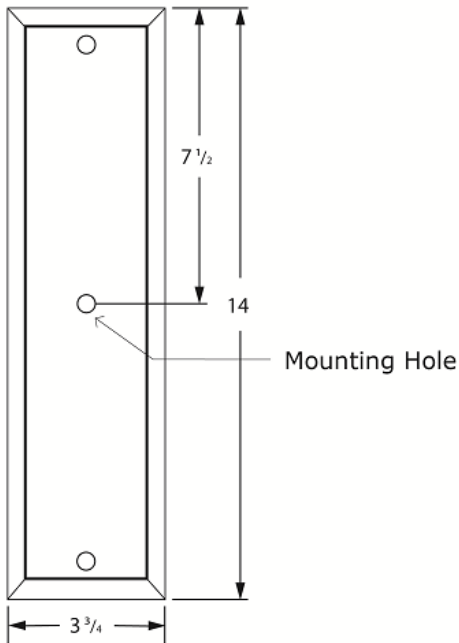
St Michaels Series

SM-2

Wall Mount

20h x 9.5w x 10d

*Mounting hole to top of lantern: 14.25"



DAMP

BTU's: 1460 for Natural Gas / 1280 for Liquid Propane (LP)



1362 Chuck Dawley Blvd
Mount Pleasant, SC 29464
www.carolinalanterns.com
customerservice@carolinalanterns.com