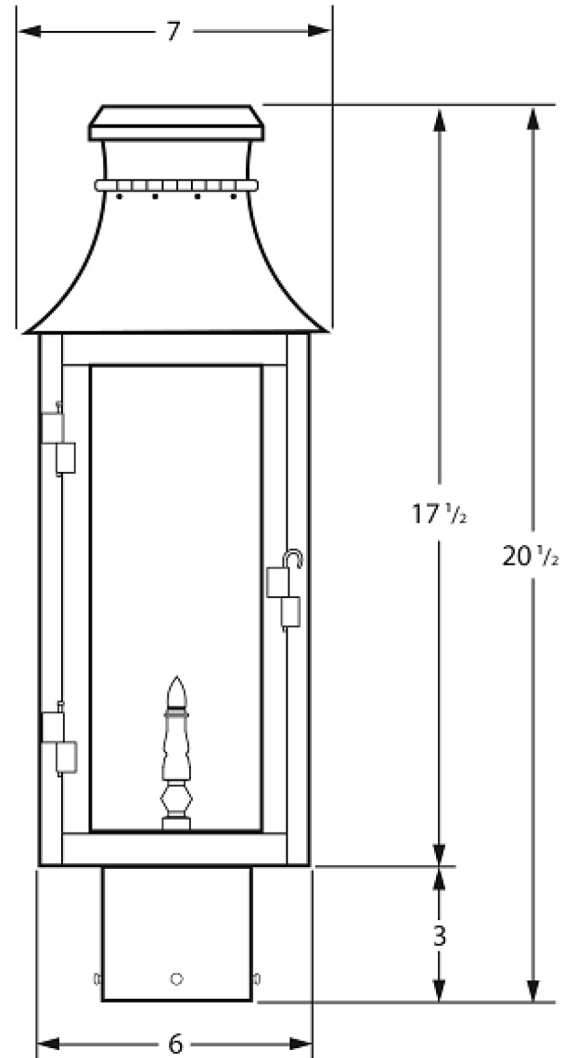


# Old Village Series

OV-1752  
Post Mount  
20.5h x 7w x 7d



DAMP

BTU's: 1460 for Natural Gas / 1280 for Liquid Propane (LP)



1362 Chuck Dawley Blvd  
Mount Pleasant, SC 29464  
843.881.4170  
carolinalanterns.com  
customerservice@carolinalanterns.com